

**General Description**

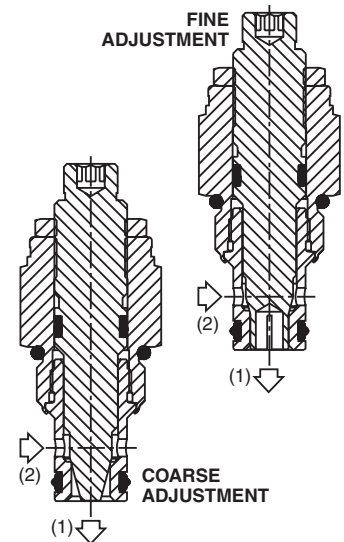
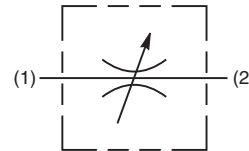
Cartridge Style Needle Valve.  
 For additional information see Technical Tips on pages FC2-FC5.

**Features**

- Hardened, precision ground parts for durability
- Compact size for reduced space requirements
- Fine adjustment needle option available for precise adjustment
- Polyurethane “D”-Ring eliminates backup rings and prevents hydrolysis
- Valve meters flow in either direction, but (2 to 1) is the preferred direction for lowest leakage at shut off
- All external parts zinc plated

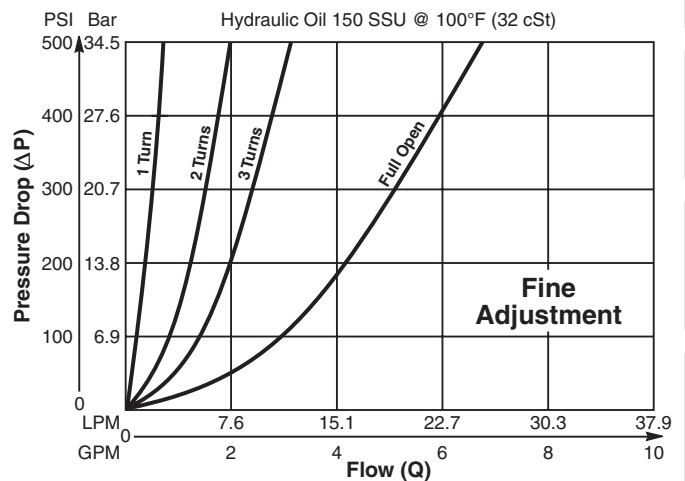
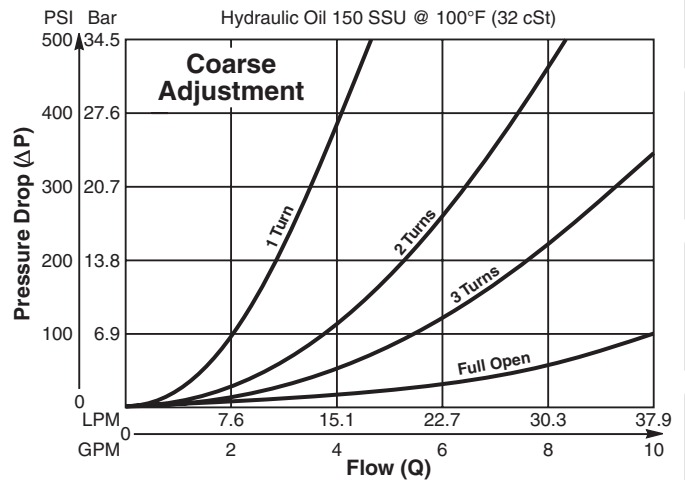
**Specifications**

Rated Flow	37.9 LPM (10 GPM)
Maximum Inlet Pressure	380 Bar (5500 PSI)
Cartridge Material	All parts steel. All operating parts hardened steel.
Operating Temp. Range/Seals	-37°C to +93°C (“D”-Ring) (-35°F to +200°F) -34°C to +121°C (Nitrile) (-30°F to +250°F) -26°C to +204°C (Fluorocarbon) (-15°F to +400°F)
Fluid Compatibility/ Viscosity	Mineral-based or synthetic with lubricating properties at viscosities of 45 to 2000 SSU (6 to 420 cSt)
Filtration	ISO-4406 18/16/13, SAE Class 4
Approx. Weight	0.10 kg (0.20 lbs.)
Cavity	C08-2 (See BC Section for more details)



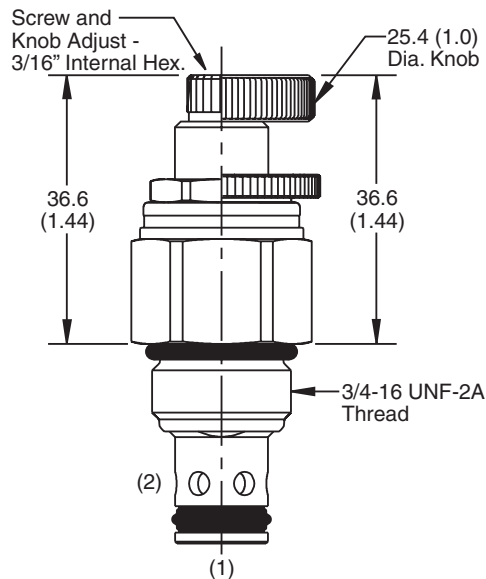
**Performance Curves**

**Flow vs. Inlet Pressure (Through cartridge only)**

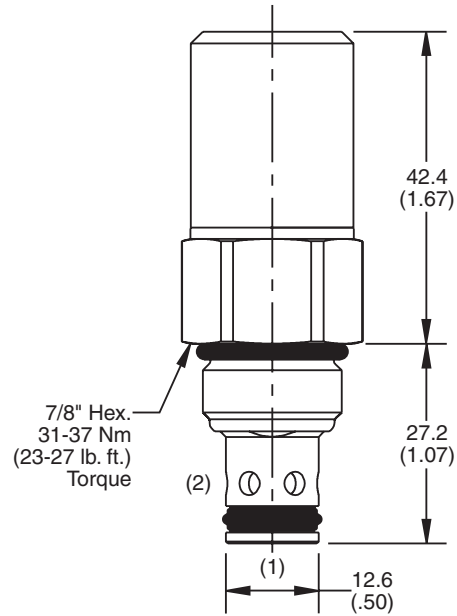


<b>CV</b>
Check Valves
<b>SH</b>
Shuttle Valves
<b>LM</b>
Load/Motor Controls
<b>FC</b>
Flow Controls
<b>PC</b>
Pressure Controls
<b>LE</b>
Logic Elements
<b>DC</b>
Directional Controls
<b>SV</b>
Solenoid Valves
<b>PV</b>
Proportional Valves
<b>CE</b>
Coils & Electronics
<b>BC</b>
Bodies & Cavities
<b>TD</b>
Technical Data

**Dimensions** Millimeters (Inches)



**Screw/Knob Version**



**Tamper Resistant Version**

**Ordering Information**

<b>NVH081</b>		<b>S</b>
08 Size Needle Valve	Flow Needle	Adjustment Style

**Highlighted** represents preferred options that offer the shortest lead times. Other options may be available, but at extended lead times.

Code	Flow Needle
Omit	Coarse
F	Fine

Code	Adjustment Style
S	Screw Adjust

Code	Seals
Omit	"D"-Ring

Kit	Part Number
Knob	717784-10
Tamper Resistant Cap	717943
D-Ring Seal	SK08-2
Nitrile Seal	SK08-2
Fluorocarbon Seal	SK08-2V

Order Bodies Separately  
 See section BC

<b>B08</b>	—	<b>2</b>	—	<b>6T</b>
08 size		2-Way Cavity		Port Size

Code	Porting / Body Material
6T	SAE-6 / Steel (5000 PSI)

**CV**  
Check Valves

**SH**  
Shuttle Valves

**LM**  
Load/Motor Controls

**FC**  
Flow Controls

**PC**  
Pressure Controls

**LE**  
Logic Elements

**DC**  
Directional Controls

**SV**  
Solenoid Valves

**PV**  
Proportional Valves

**CE**  
Coils & Electronics

**BC**  
Bodies & Cavities

**TD**  
Technical Data